

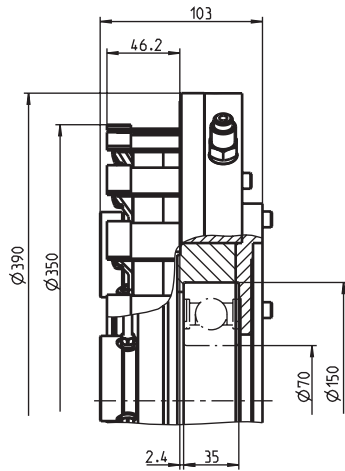
Size 28

0208-100-28-000110

Friction diameter:
 $D_R = 280 \text{ mm}$

Nominal braking torque:
 $T_{Nom} = 200 - 1100 \text{ Nm}$

Bearing seat 150 K6
(D/d/B 150/70/35)



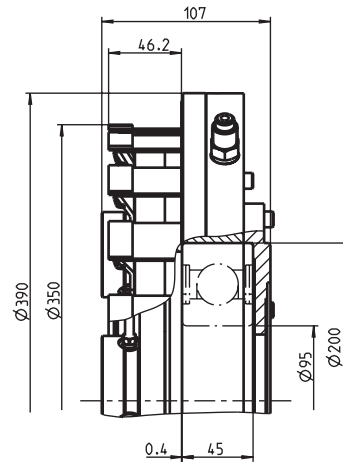
Size 35

0208-100-35-000110

Friction diameter:
 $D_R = 350 \text{ mm}$

Nominal braking torque:
 $T_{Nom} = 600 - 2000 \text{ Nm}$

Bearing seat 150 K6
(D/d/B 150/70/35)



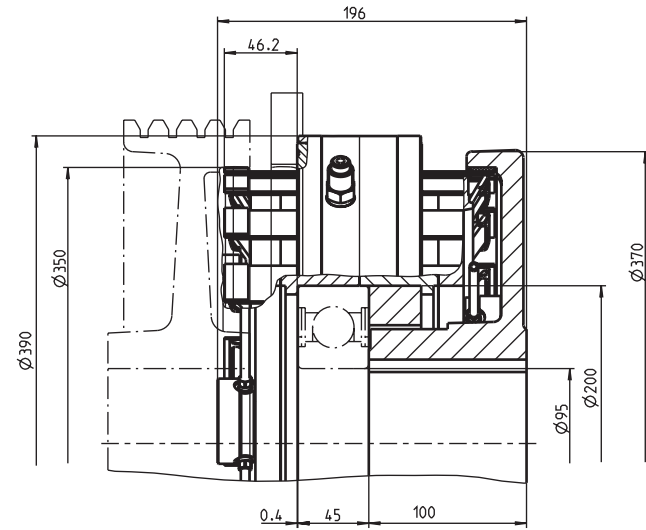
Size 35

0208-100-35-010110

Friction diameter:
 $D_R = 350 \text{ mm}$

Nominal braking torque:
 $T_{Nom} = 600 - 2000 \text{ Nm}$

Bearing seat 200 K6
(D/d/B 200/95/45)



Size 35 - double brake

0208-100-35-110110 (single brake)
0208-200-35-110110 (additional brake)

Friction diameter:
 $D_R = 2 \times 350 \text{ mm}$

Nominal braking torque:
 $T_{Nom} = 1200 - 4000 \text{ Nm}$

Bearing seat 200 K6
(D/d/B 200/95/45)

Accessories:

- Hand lever with hydraulic release device
- Power saving circuit (power supply 230V)
- Mains filter